

Item: \_\_\_\_\_

Quantity: \_\_\_\_\_

Project: \_\_\_\_\_

# Induction Cooker

## Models

FE-G35-KP2 Single hob Manual Control



## FEATURES

- German IGBT
- Stainless Steel framed hobs
- Overheat system protection
- Five commercial high-flow fans
- 90% efficiency rating
- Rubber feet to prevent slipping

## MANUAL CONTROL MODELS

- Knob power control, from Level 1 to Level 10
- Knob guards
- Timer control, from 1-24 hours.

## IMPORTANT

This appliance is intended for use with induction-ready cookware. All units requires a minimum clearance of four 4"(101.6mm) between all sides of the housing and any surface or obstacle. Avoid ambient temperatures exceeding 50°C/122°F.

## WARRANTY:

All models shown come with standard warranty against defects in materials and workmanship.

## AGENCY LISTING

**CE** This device complies with CE Standards.

*Due to continued product improvement, please consult for current product specifications.*

## DESCRIPTION

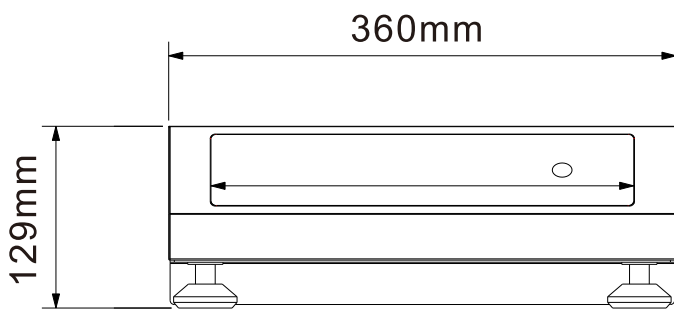
These high-efficiency, heavy-duty, commercial induction cooktops are designed for use in commercial kitchens. They provide sensitive control for fast, high temperature cooking.

The induction cooktops come complete with 16 amp power cords with plugs (see Specifications). The case is made from 201 stainless steel with a grade-A ceramic top. The ceramic top is easily cleaned with a mild cleaner.

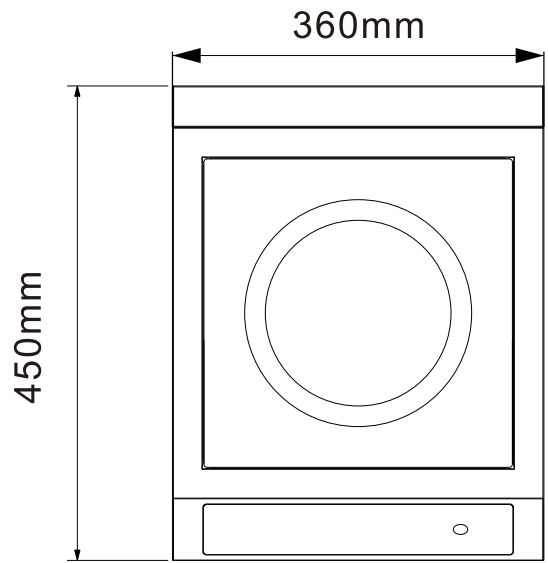
The induction range is equipped with a variety of safety features including:

- Over-heat protection
- Small-article detection
- Pan auto-detection function
- Empty-pan shut-off

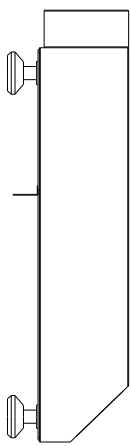
# Induction Cooker



Front View



Top View



Side View

Model	Volts	Watts	Plug
FE-G35-KP2	240V/50Hz	3500W	Three-Prong

Plug Configurations		
Model	Electrical Characteristics	Plug
FE-G35-KP2	240V/50Hz 3500W	