



# 800 SERIES GRIDDLE PLATE

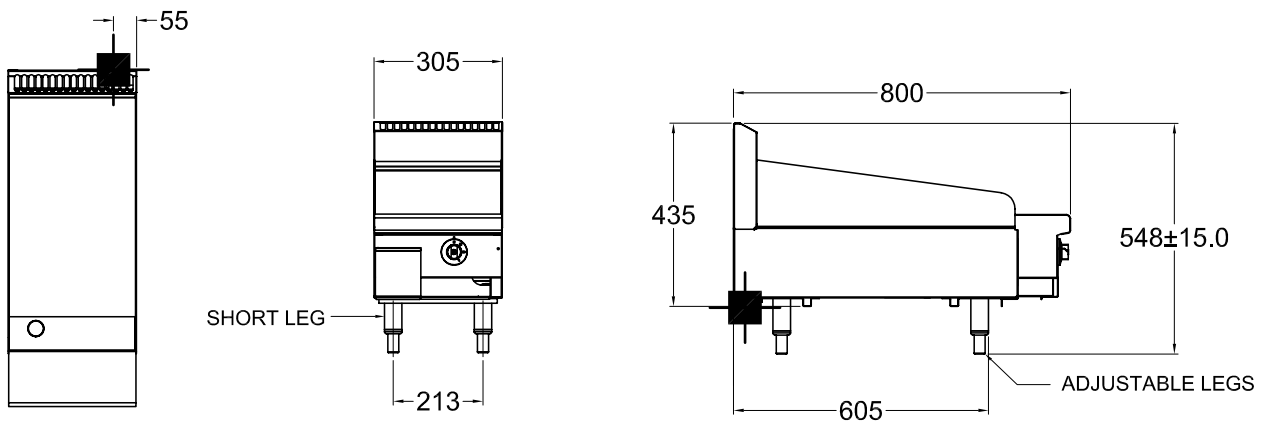
## 20 mm plate

### GPGDBI2 - Gas

- 20 mm thick Mild Steel Plate maximizes greater heat retention for consistent cooking
- Front grease trough, generous chute and catcher
- Stainless Steel fascia and sides, spill zone and grease can for ease of cleaning

#### Other options

Machined steel or ribbed plates



### GPGDBI2

#### SPECIFICATIONS

<b>Dimensions (WxDxH)</b>	305 x 800 x 550 mm
<b>Plate size (WxDxH)</b>	305 x 520 x 20 mm
<b>Gas connection</b>	3/4" BSP

■ 3/4" BSP Gas Connection

<b>Rating</b>	20 Mj
<b>Weight</b>	40 kg
<b>Packed</b>	0.1 m <sup>3</sup>

Australia's premier food service equipment manufacturer

[goldstein.com.au](http://goldstein.com.au)

211-217 Woodpark Road, Smithfield NSW 2164  
1800 013 123 | +61 2 9604 7333

 **MIDDLEBY AUSTRALIA**

