

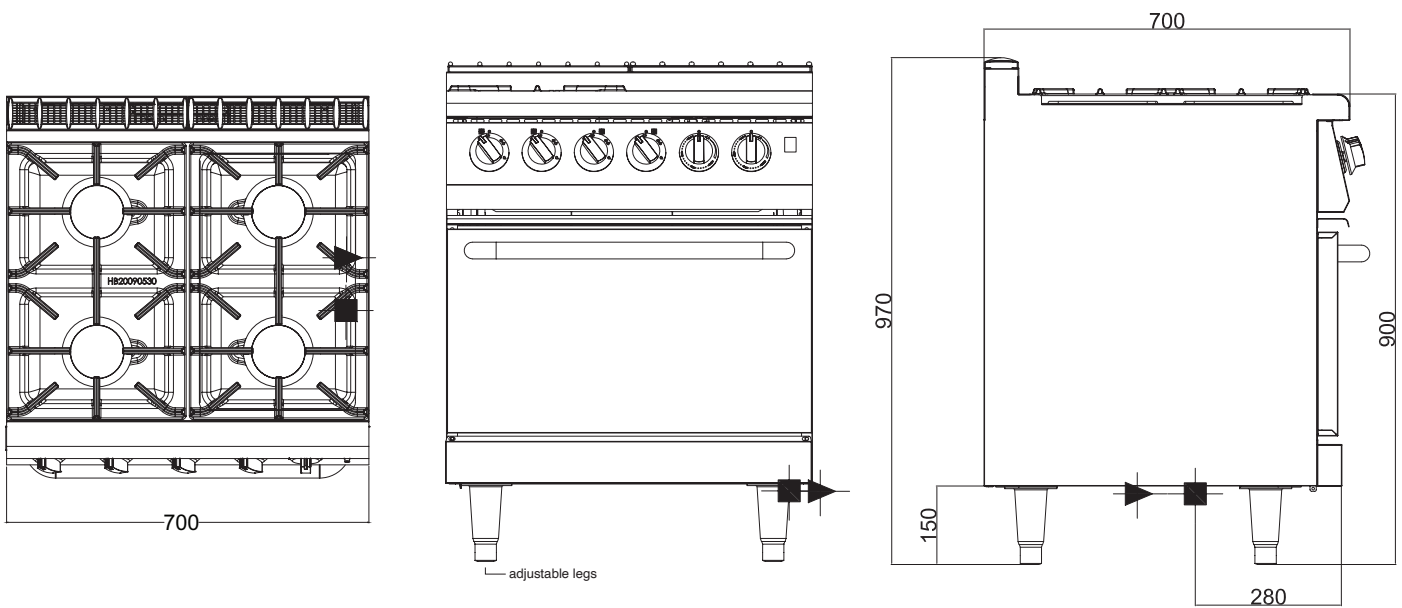


# 700 SERIES GOURMET RANGE

## 530 mm Fan Forced Electric Oven

### GR/GE710FF – Gas

- 3 high performance 18 Mj burners & 112 Mj simmer burner
- Meets NSW Department of Education requirements
- Fully insulated gastronorm compatible oven
- Heavy duty, removable cast iron trivets and stainless steel spill pan
- Flame failure and standing pilots





### GR/GE710FF

#### SPECIFICATIONS

|                           |                    |
|---------------------------|--------------------|
| <b>Dimensions (WxDxH)</b> | 700 x 700 x 970 mm |
| <b>Working height</b>     | 900 mm (±20 mm)    |
| <b>Oven Size (WxDxH)</b>  | 530 x 500 x 290 mm |
| <b>Burners</b>            | 4                  |

|                            |                    |
|----------------------------|--------------------|
| <b>Gas Connection</b>      | 3/4" BSP           |
| <b>Electric Connection</b> | Single phase       |
| <b>Rating</b>              | 74 Mj / 4.8 kW     |
| <b>Weight</b>              | 135 kg             |
| <b>Packed</b>              | 0.7 m <sup>3</sup> |

 3/4" BSP Gas Connection  
 Single phase 20Amp

Australia's premier food service  
equipment manufacturer

[goldstein.com.au](http://goldstein.com.au)

211-217 Woodpark Road, Smithfield NSW 2164  
1800 013 123 | +61 2 9604 7333

 **MIDDLEBY AUSTRALIA**

