

Food Equipment (NZ) Ltd

1066 Hinemoa Street, Rotorua

P.O. Box 10067, Rotorua, New Zealand

(07) 3488430



Pizza Counter Refrigerator

Model NO.: PZ-2600TN



Specification

Food Equipment (NZ) Ltd

1066 Hinemoa Street, Rotorua

P.O. Box 10067, Rotorua, New Zealand

(07) 3488430



Dimensions	1510 x 800 x 1420 mm
Gross Volume / Net Volume	360 Liter
Temperature Range (°C)	2 to +10
Ambient	T
Doors	2 solid / auto-closing
Shelf	2
Voltage / Frequency (V/Hz)	220 – 240 / 50
Input Power (W)	380
Compressor (HP) /Gas	Embraco /R134a
Type of Cooling	fan assisted
Type of Defrost	automatic
Controller	digital
Body Constuction	Stainless Steel
Condenser	Pure Cooper
Wheel	Castor

** All Guzzini products must pass numerous quality control inspections throughout the manufacturing process.*

** All Guzzini products are operated and monitored for a minimum of thirteen hours prior to packaging and shipping.*

** All Guzzini Products are CE& IEC approved .*

** All Guzzini products come with full one year parts warranty*

Features

** Energy saving controller ensures accurate temperature control*

Food Equipment (NZ) Ltd

1066 Hinemoa Street, Rotorua

P.O. Box 10067, Rotorua, New Zealand

(07) 3488430



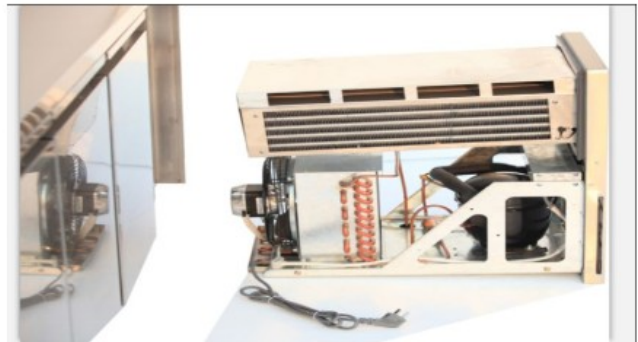
* *Designed for effective operation in high ambient 43°C environments, and built to withstand the rigours of day-to-day operation*

* *Construction includes polyurethane insulation with zero ODP and low GWP, providing excellent thermal efficiency*

* *Strong stainless steel body construction*

* *Removable racking and nylon coated shelving for flexibility and ease of cleaning*

* *Removable cassette refrigeration system for easy servicing*

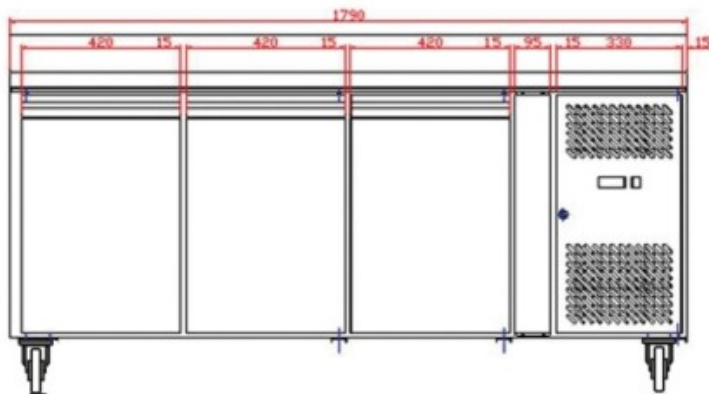
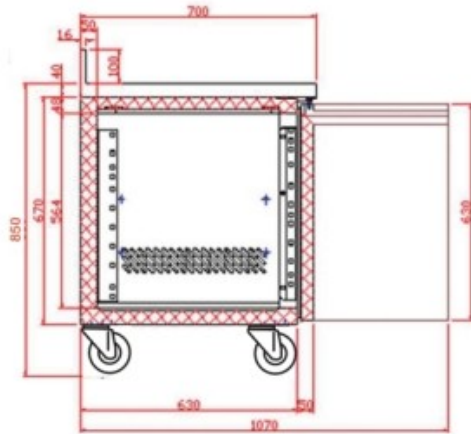


Food Equipment (NZ) Ltd

1066 Hinemoa Street, Rotorua

P.O. Box 10067, Rotorua, New Zealand

(07) 3488430



Food Equipment (NZ) Ltd

1066 Hinemoa Street, Rotorua

P.O. Box 10067, Rotorua, New Zealand

(07) 3488430

