

Specification FE-35-KP-2

Item: _____

Quantity: _____

Project: _____

INDUCTION COOKTOPS



FE-35-KP-2

Models

FE-35-KP-2 Double hobs, Manual Control

FEATURES

- German IGBT
- Stainless Steel framed hobs
- Overheat system protection
- Five commercial high-flow fans
- 90% efficiency rating
- Rubber feet to prevent slipping

MANUAL CONTROL MODELS

- 2x3500W, 220-240V/50Hz
- Touch sensitive control, from level 1 to level 10
- Timer control, from 1-24 hours

DESCRIPTION

These high-efficiency, heavy-duty, commercial induction cooktops are designed for use in commercial kitchens. They provide sensitive control for fast, high temperature cooking.

The induction cooktops come complete with power cords. The case is made from 201 stainless steel with a grade-A ceramic top. The ceramic top is easily cleaned with a mild cleaner.

The induction range is equipped with a variety of safety features including:

- Over-heat protection
- Small-article detection
- Pan auto-detection function
- Empty-pan shut-off

IMPORTANT

This appliance is intended for use with induction-ready cookware. All units requires a minimum clearance of four 4" (101.6mm) between all sides of the housing and any surface or obstacle. Avoid ambient temperatures exceeding 50°C/122°F.

WARRANTY:

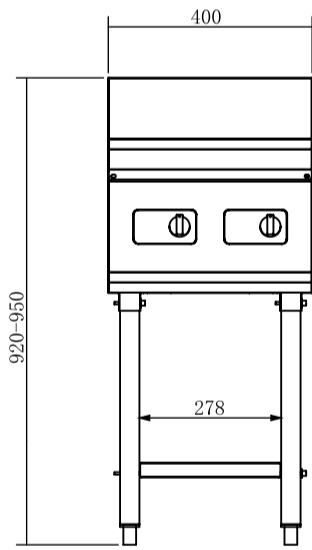
All models shown come with standard warranty against defects in materials and

Food Equipment (NZ) Ltd

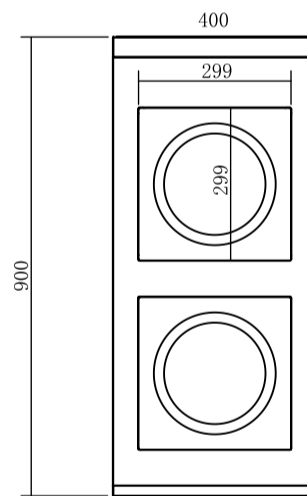
1066 Hinemoa St PO Box 10067 Rotorua, New Zealand

www.foodequipment.co.nz |Phone:(07) 3488430

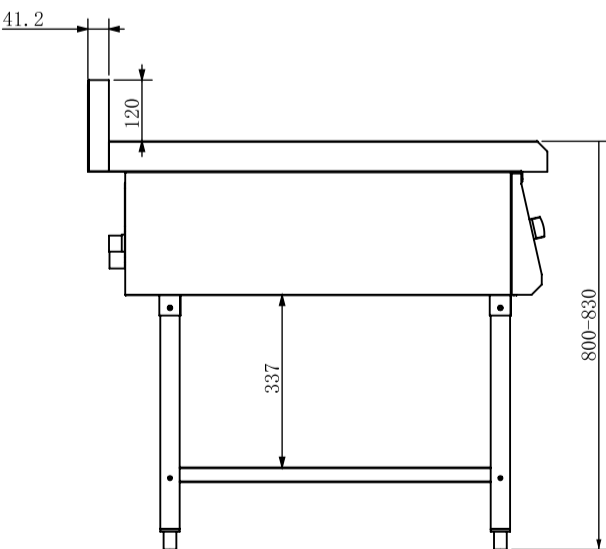
Model FE-35-KP-2



Front View



Top View



Side View

Model	Volts	Watts	Plug	Amp
FE-35-KP-2	240V	2x3500	/	32A

Plug Configurations		
Model	Electrical Characteristics	Plug
FE-35-KP-2	240V/50Hz 2x3500W	/

Food Equipment (NZ) Ltd

1066 Hinemoa St PO Box 10067 Rotorua, New Zealand

www.foodequipment.co.nz |Phone:(07) 3488430