

Item: \_\_\_\_\_

Quantity: \_\_\_\_\_

Project: \_\_\_\_\_

# INDUCTION COOKTOPS

## Model

### FE-35-KP-4

#### FEATURES

- German IGBT
- Overheat system
- Stainless Steel Housing
- 90% Energy Efficiency

#### MANUAL CONTROL MODELS

- Touch sensitive control , from level 1 to level 5.
- LED screen display
- Timer control, 1-24 hours

#### IMPORTANT

This appliance is intended for use with induction-ready cookware.

All units requires a minimum clearance of four 4" (101.6mm) between all sides of the housing and any surface or obstacle.

Avoid ambient temperature exceeding 50°C/122°F



## SPECIFICATIONS

Dimensions: D900 x W800 x H920 MM

Power: 3500W x 4

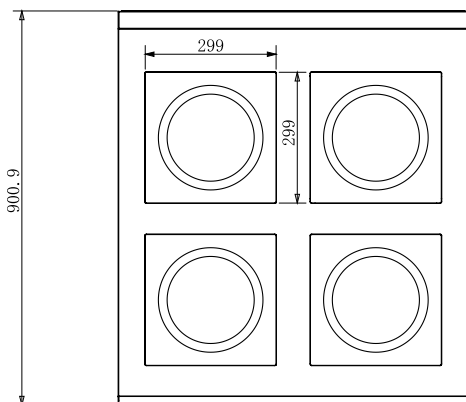
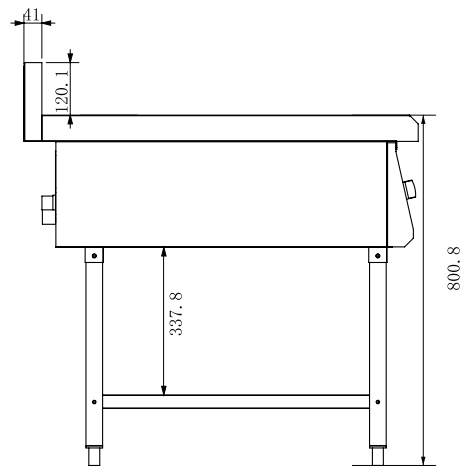
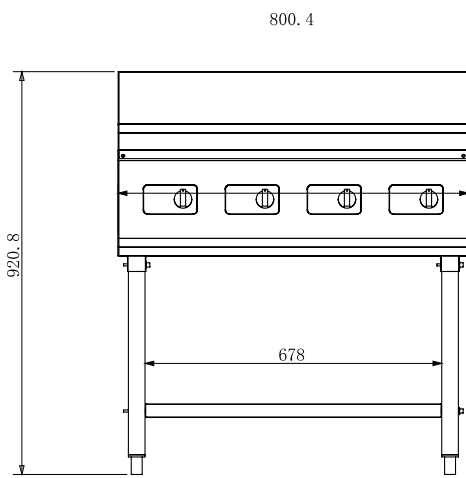
Voltage: 220V/50Hz

Housing: 201 Stainless Steel

Power Level: 1 - 5levels

Timer Control: 1-24 hours

## Model FE-35-KP-4



Model	Volts	Watts
FE-35-KP-4	220V/50hz	3500W x 4