



# TEPPANYAKI PLATE

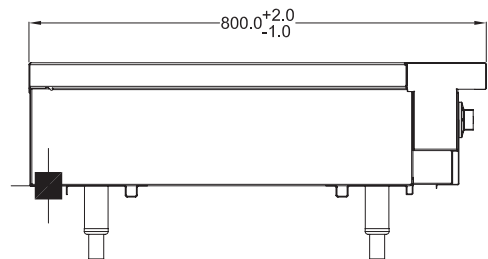
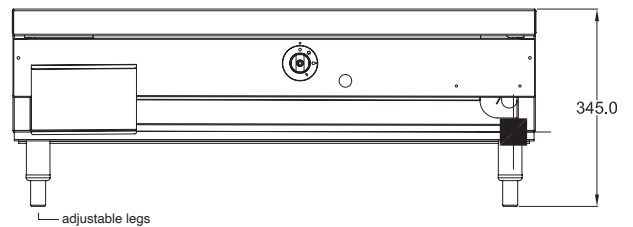
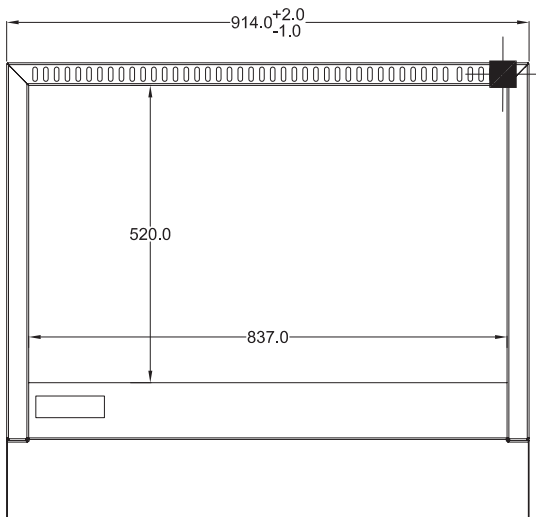
## 20mm thick Plate

### TK36 - Gas

- 20mm thick mild steel plate maximises heat retention for consistent cooking
- Heavy duty cast iron 40 MJ/hr burner
- Stainless steel hob, fascia and plate surround for easy cleaning

#### Other options

Stand or bench mounted



### TK36

#### SPECIFICATIONS

<b>Dimensions (WxDxH)</b>	914 x 800 x 345 mm
<b>Plate Size (WxDxH)</b>	837 x 524 x 20 mm
<b>Gas Connection</b>	3/4" BSP

3/4" BSP Gas Connection

<b>Rating</b>	40 MJ
<b>Weight</b>	80 kg
<b>Packed</b>	0.2 m <sup>3</sup>

Australia's premier food service equipment manufacturer

[goldstein.com.au](http://goldstein.com.au)

211-217 Woodpark Road, Smithfield NSW 2164  
1800 013 123 | +61 2 9604 7333

